

# SN-FT | Non Pressurized Flat Plate Solar Water Heater

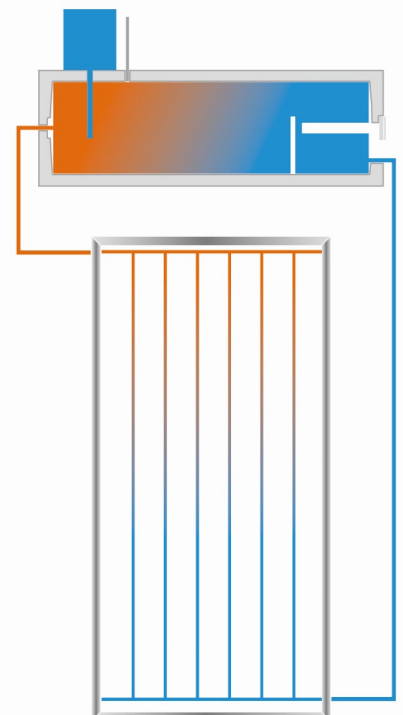
## The characteristic:

1. Elegant and smart appearance, easy installation.
2. Reliable electric back-up with protection against dry heating and thermal cut-out.
3. Easy operation and intelligent control.
4. Stainless steel inner tank SUS304 for good anti-corrosion.
5. With high quality flat solar collector with long service life.
6. Polyurethane insulation with good heat reservation.
7. Totally copper flow channels achieve low defect rate and easy maintenance, long service life.

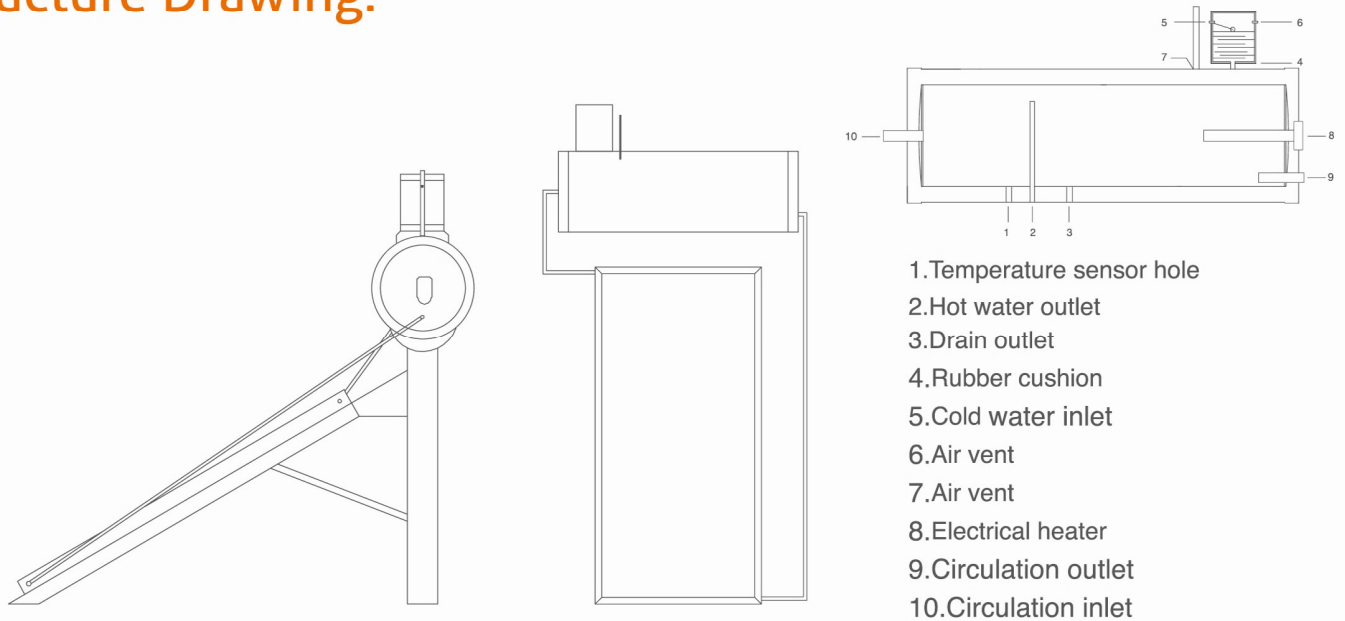


## Working principle:

Under normal operating conditions the potable water within the potable storage tank is heated by the solar collectors. For example, in an close circuit system where the household hot water is in the collector circuit, cold water is pushed downwards via the long external pipe from the storage tank to the bottom of the solar collector. As the water is heated in the absorber by the sun, it rises to the top of the collector then travels through the short external pipe into the storage tank.



## Structure Drawing:



Model	SN-FT-150A	SN-FT -200A	SN-FT -300A	SN-FT -150	SN-FT -200	SN-FT -300
Flat Plate Quantity(pcs)	1	1	2	1	1	2
Mounting Type	Flat Roof			Sloping Roof(15°~30°)		
<b>Water Tank</b>						
Net Capacity (L)	150	200	300	150	200	300
Material Of Inner Tank	SUS304					
Material Of Outer Tank	Color Steel Plate					
Material Of Insulation	Polyurethane					
<b>Flat Plate Solar Collector</b>						
Dimension (mm)	2000 X 1000 X 80					
Coating	Black Chrome					
Material	Color Steel Plate T1.2					
Degree	0°~ 45°			0°		

## AMEC SOLAR

CHANGZHOU MACHINERY & EQUIPMENT IMP.& EXP.CO.,LTD.

Add : No.62 Xinggang Road Changzhou, Jiangsu 213023 China

Tel : 0519-83978019 / 83978050

Fax : 0519-83978999

http : // www.amecco.com

E-mail: amecsolar@amecco.com

WhatsApp +86-13961191898

WeChat amecco