

PV-G008

Solar Lawn Lamp



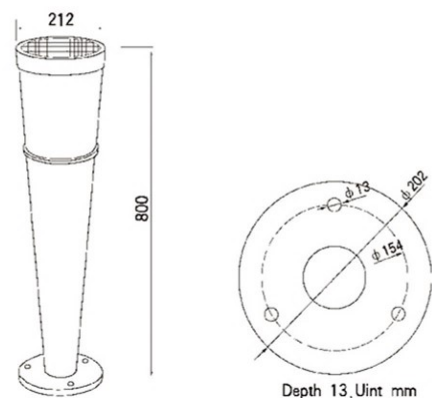
Parameters

Item No.	PV-G008
Solar Panel	9V/3.5W Monocrystalline Solar Panel, Grade A
LED	1.8W, 10*18mil Epistar Chip
Lifespan of LED	More Than 50,000 Hours
Luminous Flux	235lm ~ 255lm
Color Temperature	3000K ~ 7500K
Beam Angle	120°
Battery	6.4V, 4.5AH LiFePO ₄ Lithium Battery
Discharging Time	23 Hours
Charging Time	8h (AM1.5, 1000W/m ² , 25°C)
Material	6063 Aluminum, PC
Working Temperature	-25°C ~ 55°C
Product Size	Φ 212*800* Φ 202mm
Package Size	860*280*280mm
Number of Packing	1 set/carton
Net Weight	5.1KG
Gross Weight	6.3KG

Product Feature

- A Grade monocrystalline solar panel, high efficiency solar cells. Lifespan reaches more than 25 years.
- LiFePO₄ Lithium battery. Lifespan reaches more than 2,000 cycles.
- Full-automatic intelligent light control.
- Branded LED chips (Bridgelux, Epistar). Lifetime up to 50,000 hours.
- Die-casting aluminum light shell. Anti-corrosion, Anti-oxidation. High-impact PC cover.
- Easy installation, no cabling, no trenching. Labor cost saver, free maintenance.
- ≥ 23 working hours after fully charged.

Size chart



PV-G009

Solar Lawn Lamp



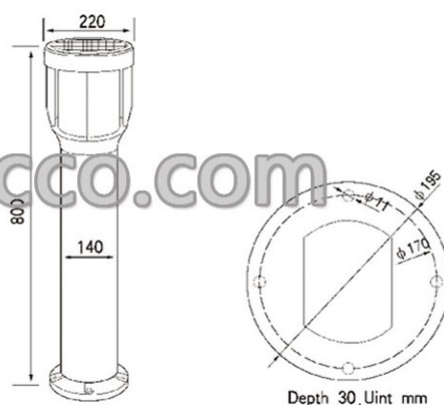
Parameters

Item No.	PV-G009
Solar Panel	9V/3.5W Monocrystalline Solar Panel, Grade A
LED	1.8W, 10*18mil Epistar Chip
Lifespan of LED	More Than 50,000 Hours
Luminous Flux	235lm~255lm
Color Temperature	3000K~7500K
Beam Angle	120°
Battery	6.4V, 4.5AH LiFePO ₄ Lithium Battery
Discharging Time	23 Hours
Charging Time	8h (AM1.5, 1000W/m ² , 25°C)
Material	6063 Aluminum, PC
Working Temperature	-25°C ~ 55°C
Product Size	Φ 220*800* Φ 140* Φ 195mm
Package Size	860*280*280mm
Number of Packing	1 set/carton
Net Weight	5.1KG
Gross Weight	6.3KG

Product Feature

- A Grade monocrystalline solar panel, high efficiency solar cells. Lifespan reaches more than 25 years.
- LiFePO₄ Lithium battery. Lifespan reaches more than 2,000 cycles.
- Full-automatic intelligent light control.
- Branded LED chips (Eridgelux Epistar). Lifetime up to 50,000 hours.
- Die-casting aluminum light shell, Anti-corrosion, Anti-oxidation. High-impact PC cover.
- Easy installation, no cabling, no trenching. Labor cost saver, free maintenance.
- ≥ 23 working hours after fully charged.

Size chart



PV-G010

Solar Lawn Lamp



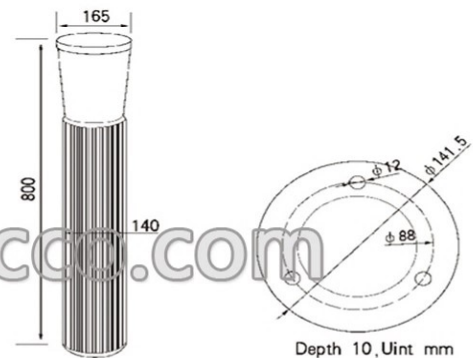
Parameters

Item No.	PV-G010
Solar Panel	9V/3.5W Monocrystalline Solar Panel, Grade A
LED	1.8W, 10*18mil Epistar Chip
Lifespan of LED	More Than 50,000 Hours
Luminous Flux	235lm ~ 255lm
Color Temperature	3000K ~ 7500K
Beam Angle	120°
Battery	6.4V, 4.5AH LiFePO ₄ Lithium Battery
Discharging Time	23 Hours
Charging Time	8h (AM1.5, 1000W/m ² , 25°C)
Material	6063 Aluminum, PC
Working Temperature	-25°C ~ 55°C
Product Size	Φ 165*800* Φ 140mm
Package Size	840*210*210mm
Number of Packing	1 set/carton
Net Weight	3.9KG
Gross Weight	4.8KG

Product Feature

- A Grade monocrystalline solar panel, high efficiency solar cells. Lifespan reaches more than 25 years.
- LiFePO₄ Lithium battery. Lifespan reaches more than 2,000 cycles.
- Full-automatic intelligent light control.
- Branded LED chips (Bridgelux, Epistar). Lifetime up to 50,000 hours.
- Die-casting aluminum light shell. Anti-corrosion, Anti-oxidation, High-impact PC cover.
- Easy installation, no cabling, no trenching. Labor cost saver, free maintenance.
- ≥ 23 working hours after fully charged.

Size chart



IP 65



RoHS



PV-MS003

Integrated Solar Courtyard Light



Product Feature

AMEC SOLAR

A Grade monocrystalline solar panel, high efficiency solar cell's Lifespan reaches more than 25 years.



LiFePO₄ Lithium battery.
Lifespan reaches more than 2,000 cycles.



Full-automatic intelligent light control.



Branded LED chips (Bridgelux, Epistar).
Lifetime up to 50,000 hours.



Die-casting aluminum light shell, hot-dip galvanized steel lamppost. Anti-corrosion, Anti-oxidation, High-impact PC cover.

<http://solar.amecco.com>



Easy installation, no cabling, no trenching.
Labor cost saver, free maintenance.



≥ 23 working hours after fully charged.



IP 65



CE RoHS

PV-MS008

Integrated Solar Courtyard Light



AMEG SOLAR

Product Feature



A Grade monocrystalline solar panel, high efficiency solar cells. Lifespan reaches more than 25 years.



High performance battery. Li-ion lithium battery or LiFePO₄ Lithium battery for your selection.



Full-automatic intelligent light control, energy-saving time control.



Branded LED chips (Bridgelux, Epistar). Lifetime up to 50,000 hours.



Die-casting aluminum light shell. Anti-corrosion, Anti-oxidation. High-impact PC cover.



Easy installation, no cabling, no trenching. Labor cost saver, free maintenance.



In areas which are tree-shaded or lack of sunshine, we suggest to use DC&AC complementary controller.



≥ 42 working hours after fully charged.

